

## SPIDER 22.10

*Lightweight and easily transportable*

*Variable tracks width for extra stability while travelling*

*Radio-controlled proportional and simultaneous controls*

*Articulated boom with fly-Jib for greater versatility*

*Hydraulic cage rotation 90+90 deg*

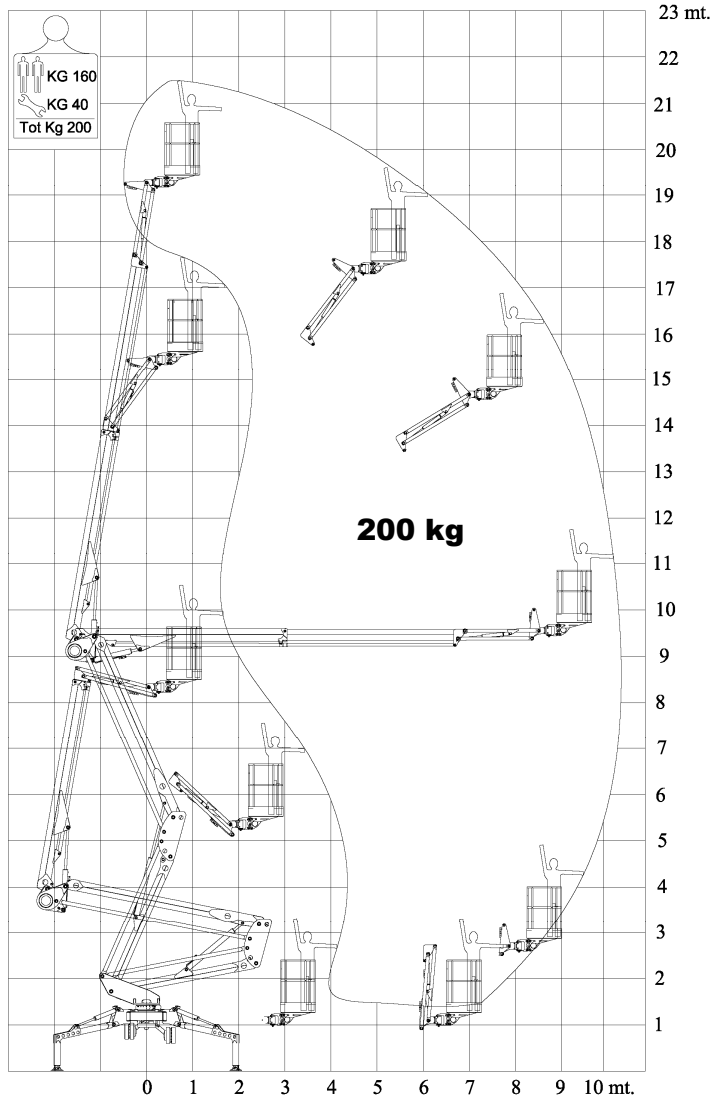
*Automatic outreach control system*

*Easy maintenance*

*Dual power Petrol or Diesel engine & 220/110 Vac mains*

*Protected pipelines inside of the telescopic booms*



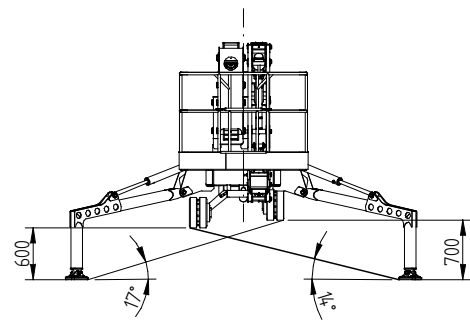
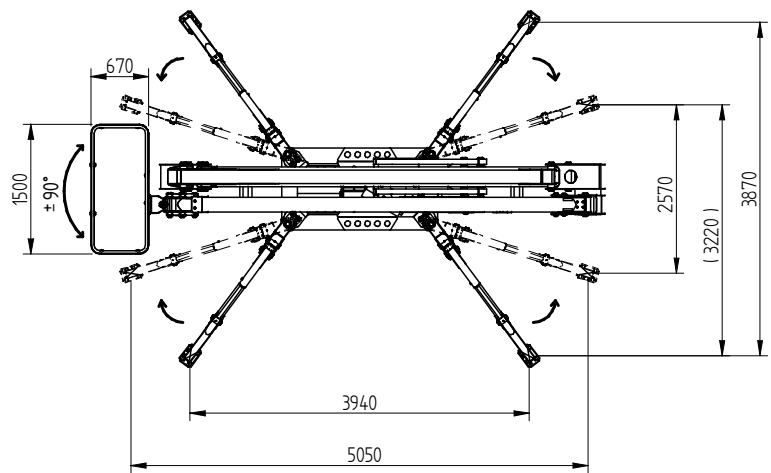
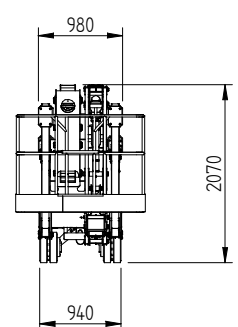
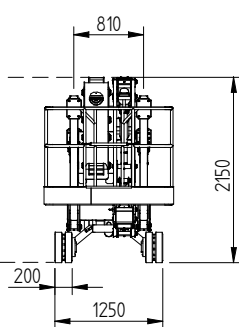
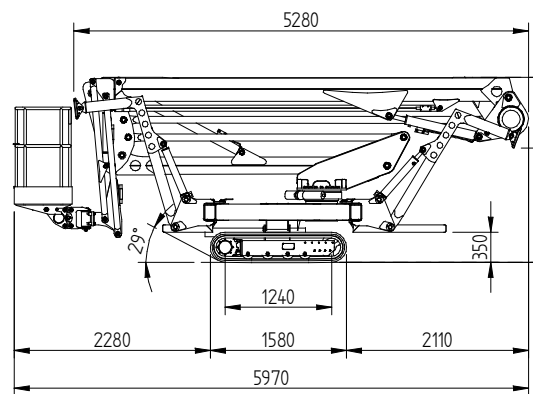


TECHNICAL DATA		
Max working height	m	21,70
Working height to the basket floor	m	19,70
Max side outreach	m	10,30
Turret rotation	deg.	365°
Cage dimension (Aluminium)	m	1,50x0,70
Basket rotation	deg.	90+90
Max cage capacity (2 people)	kg	200
Length with cage	Mm	5975
Length w/out cage	mm	5280
Minimum width in stowed position	mm	1000
Minimum height in stowed position	mm	2065
Two position footprint	Min-m	2,57x 5,05
	Max-m	3,87 x 3,94
Max driving speed	Km/h	2,5
Max gradeability	deg	16° (29%)
Max side gradeability	deg	17° (31%)
Total weight	kg	3000*
Surface load in driving position (extended tracks)	KN/m2	2,81
Surface load in standard working position (wider stab. set-up)	KN/m2	1,90
Max load on stabilizer	KN	20
iGX440 Honda -Petrol	Hp/rpm	13/3600
or		
Z602E Kubota- Diesel	Hp/rpm	15/3200

STANDARD FEATURES:
Radio-control
Adjustable stabilizer position
Automatic outreach control
Load control in the cage
Hydraulic cage rotation
Hydraulic extendable tracks
220/110 Vac electric power-pack for indoor use
Air/Water outlet in the cage
Complying with: EN280

OPTIONALS:
Non-marking tracks
12Vdc emergency descent kit
Working light in the cage
110/220 V. AC 16 AMP Outlet in the cage
Oil kit for artic use
Over-sized removable square rigger pads.
Automatic stabilisation set-up.

\* May differs due to the configuration



DATA DIMENSIONS AND FEATURES ARE INDICATIVE AND NOT BINDING. REV. 4—12/01/2010

