

## SPIDER 13.80

*Telescopic boom with double section along with a hydraulic device to double the speed of the extension booms*

*Spider 13.80 enabling an easy transport on 2,5 ton trucks, other than on towed small trailers*

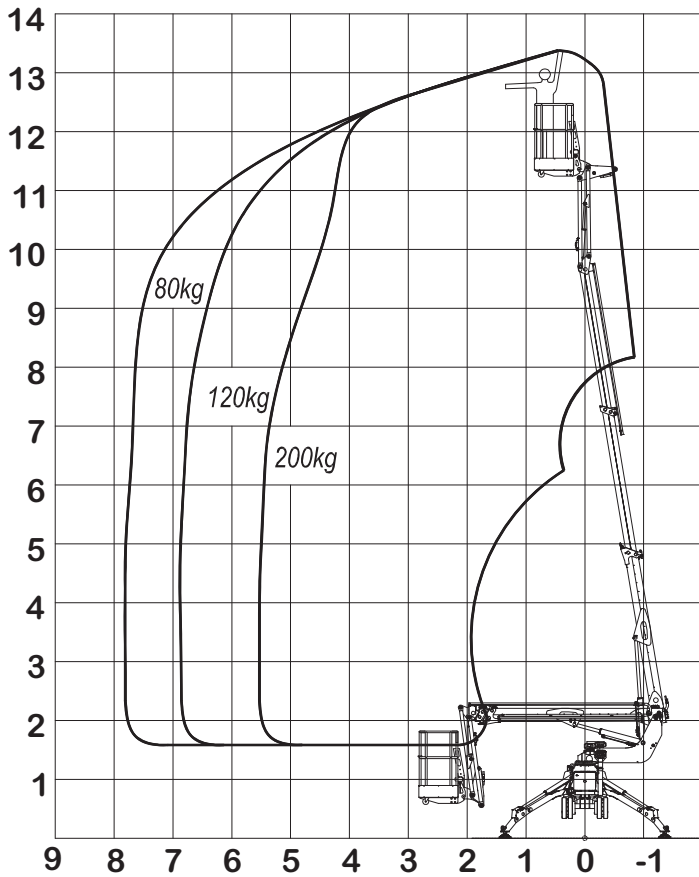
*The compact set up of the stabilization in less than 3,00 m of space, let the use of the machine in any confined space indoor and outdoor*

*Remote control panel to drive the machine from cage and from ground*

*Double driving speed up to 2,5 km/h*

*Excellent instrument for pruning, maintenance and all the jobs of hard access by normal aerial equipments*



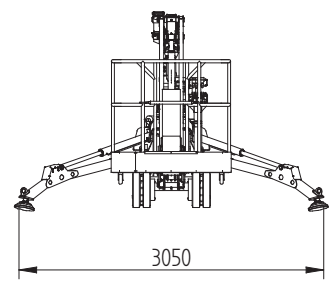
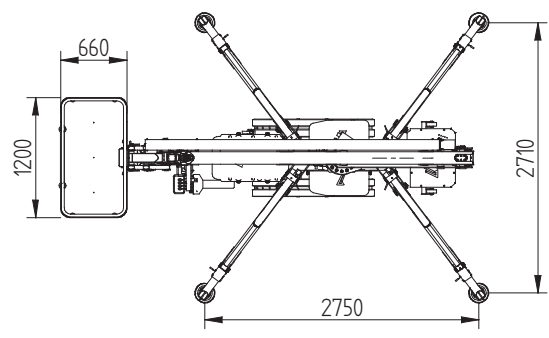
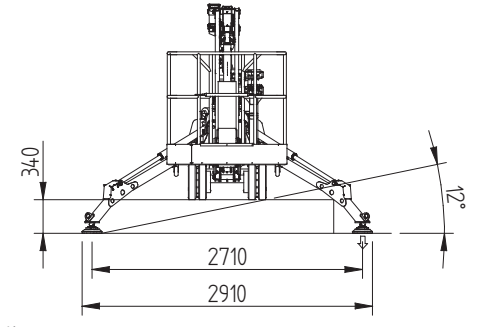
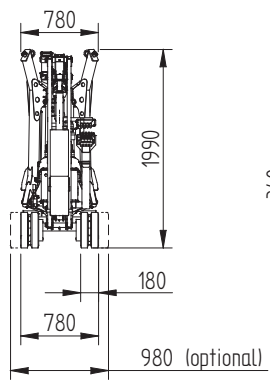
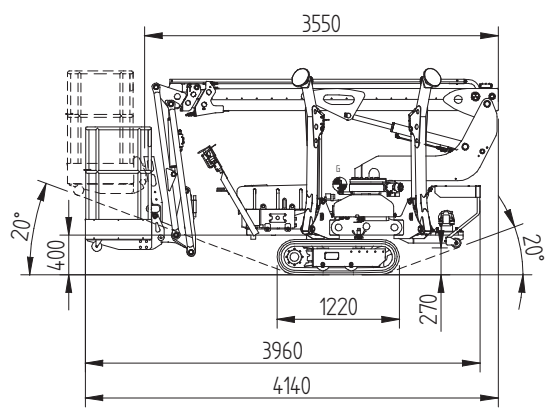


TECHNICAL DATA	
Max working height	m 13,40
Working height to the basket floor	m 11,40
Max side outreach (80 kg)	m 8,00
Max side outreach (120 kg)	m 7,00
Max side outreach (200 kg)	m 5,50
Turret rotation	° 360
Cage dimension (Aluminium)	m 1,20x0,66
Max cage capacity	kg 200
Length with cage	mm 4140
Length w/out cage	mm 3550
Minimum width in stowed position	mm 780
Minimum height in stowed position	mm 1990
Stabilization footprint	m 2,9 x 2,9
Max driving speed	Km/h 2,5
Max gradeability	deg 15° (27%)
Max side gradeability	deg 14° (25%)
Total weight	kg 1550*
Surface load in driving position	N/cm2 2,22
Surface load in working position	Kn/m2 2,04
Max load on stabilizer	KN 10,6
GX 390 Honda Petrol	Hprpm 8/3600

STANDARD FEATURES:
Emergency hand pump
Quick and easily removable cage, with one pin
Hour meter
Stabilisers/booms interlocking
Automatic safe working device
Black rubber tracks
110/220 Vac Electric motor for indoor use
Electric 220/110 Vac outlets into the basket
Complying with EN280-AS1418.10

OPTIONALS:
No- marking tracks
Emergency electric power pack 12 VDC
Variable tracks width
Automatic safe working device
Customized colours
Increased size of foot-plates (330mm)

\*May differs due to the configuration



DATA, DIMENSIONS AND FEATURES ARE INDICATIVE AND NOT BINDING

