

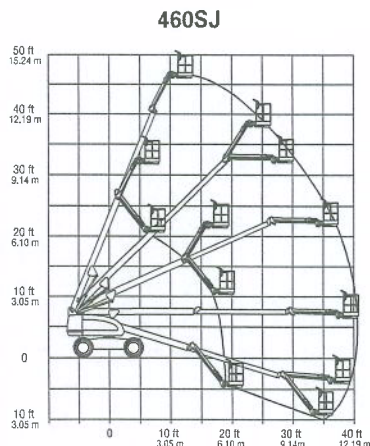
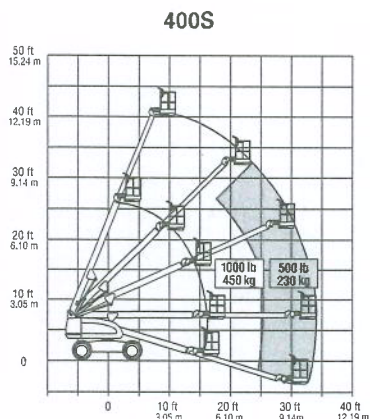


Model

400 Series

TELESCOPIC
BOOM LIFTS

Specifications



Reach

Platform Height	400S	40 ft 4 in. (12.3 m)
	460SJ	46 ft (14.02 m)
Horizontal Outreach	400S	34 ft 7 in. (10.4 m)
	460SJ	41 ft. (12.49 m)
Swing		360 Degrees Continuous
Platform Capacity		
Restricted (400S)		1,000 lb (450 kg)
Unrestricted		500 lb (227 kg)
Optional		750 lb (340 kg)
Platform Rotator		180 Degrees Hydraulic
Jib (Range of Articulation)		
460SJ		6 ft (1.83 m), 130 Degrees (+70, -60)
Lift/Lower Speed		29/22 seconds

Dimensions

A. Platform Size	36 x 96 in. (0.91 x 2.44 m)
B. Overall Width	7 ft 6.5 in. (2.30 m)
C. Tailswing	2 ft 10 in. (86 cm)
D. Stowed Height	7 ft 10 in. (2.39 m)
E. Stowed Length	
400S	24 ft 9 in. (7.54 m)
460SJ	29 ft (8.84 m)
F. Wheelbase	7 ft 8 in. (2.34 m)
G. Ground Clearance	
Standard Tires	12.5 in. (32 cm)
14 x 17.5 Tires	13.5 in. (34 cm)
Weight*	
400S	12,650 lb (5,738 kg)
460SJ	15,850 lb (7,189 kg)
Max. Ground Bearing Pressure	58 psi (4.06 kg/cm ²)

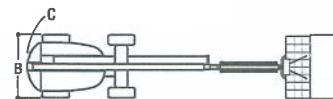
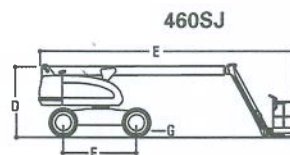
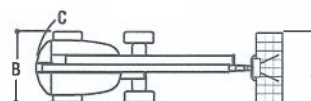
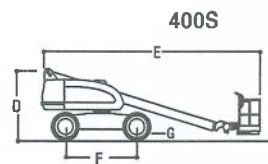
Chassis

Drive Speed 2WD/4WD	4.5 mph (7.2 kph)
Gradeability	
2WD	30%
4WD	45%
Turning Radius	
Outside	16 ft 5 in. (5.0 m)
Inside	6 ft 7 in. (2.0 m)
Tire Size/Type	
Standard	12 x 16.5 Pneumatic
Optional	14 x 17.5 Pneumatic

Power Source

Dual Fuel Engine	
GM Vortec 3000 MPFI	82 hp (61 kW)
Diesel Engine	
Perkins 404C-22	49 hp (36.5 kW)
Diesel Engine	
Caterpillar C2.2	49 hp (36.5 kW)
Fuel Tank Capacity	26 gal. (98.5 L)
Hydraulic Reservoir	42 gal. (159 L)
Auxiliary Power	12V DC

* Certain options or country standards will increase weight.



The JLG "1 & 5" Warranty

JLG Industries, Inc. backs our 400 Series boom lifts with our exclusive "1 & 5" Warranty. We provide coverage for one (1) full year, and cover all specified major structural components for five (5) years. These machines meet or exceed applicable OSHA Regulations in 29 CFR 1910.67, 29 CFR 1926.453, ANSI A92.5-2000 and CSA standard B354.4-02 as originally manufactured for intended applications. We reserve the right to make price, specification, and/or equipment changes without prior notification.



JLG Industries, Inc.

1 JLG Drive
McCconnellsburg, PA 17233-9533
Telephone 717-485-5161
Toll-free in US 877-JLG-LIFT
Fax 717-485-6417
www.jlg.com

An Oshkosh Corporation Company

Form No.: SS-400S-0107-10M
Part No.: 3131026
R110805
Printed in USA



De Hoogwerkerstunter
Industrieweg 20, 5571 UJ Bergelijk
T +31 (0)85 400 00 15
info@hoogwerkerstunter.com
hoogwerkerstunter.com

IBANnr: NL65ABNA0534047440
BIC: ABNANL2A

Kamer van Koophandel: 17240941
BTW nummer: NL820357819B01