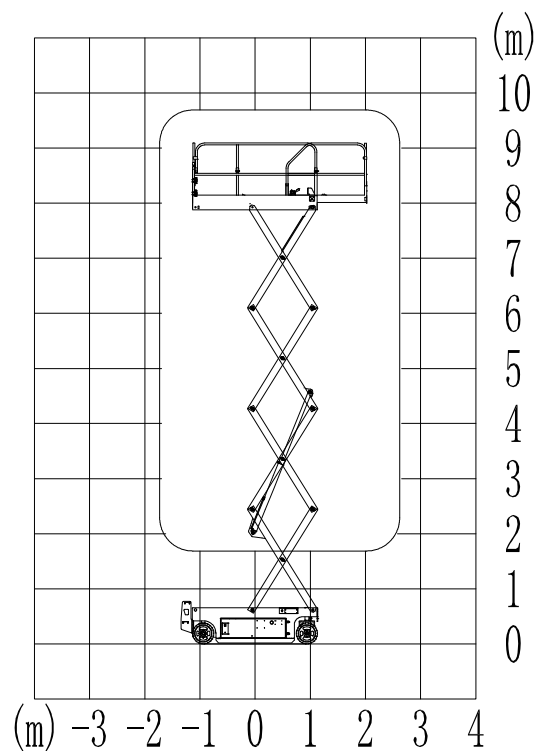
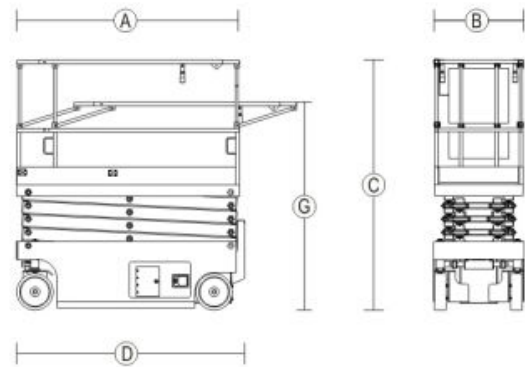


GTJZ08-8m ELECTRIC SCISSOR LIFT

Model	GTJZ08
Working Height Maximum	9.69m
Platform Height Maximum	7.99m
Max platform occupancy	2
Lift capacity	380kg
Lift capacity-extension deck	113kg
Length ①	2.485m
Width ⑤	0.82m
Height(stowed)③	2.295m
Height(guardrail fold stowed)	1.895m
Platform height minimum ⑥	1.195m
Platform measurement ②*④	2.26*0.82m
Length extension deck	0.9m
Ground clearance-center	100/20mm
Turing radius Minimum	2.3m
Travel speed(stowed)	3.2km/h
Travel speed(raised)	0.8km/h
Grade-ability	25%
Max. allowable slope	3°
tire	φ0.381*0.127m
weight	2010kg
Lift motor	24/3v/kw
Maintenance-free battery	4*6/216V/Ah
charger	24/20-30V/A





CONFIGURATION
DC electrical motor--Bucher from USA
Hydraulic Pump--Bucher from USA
Cement Valve--Hydrofoss from USA
Brake--White from USA
RE motor--White from USA
Brake hydraulic pump--White from USA
Battery--US from USA or Trojan from USA
Charge--Longsheng from China
Angle sensor--BPE from Italy
Joystick and controller--DLT form USA
Coulomb-meter--Curtis from USA