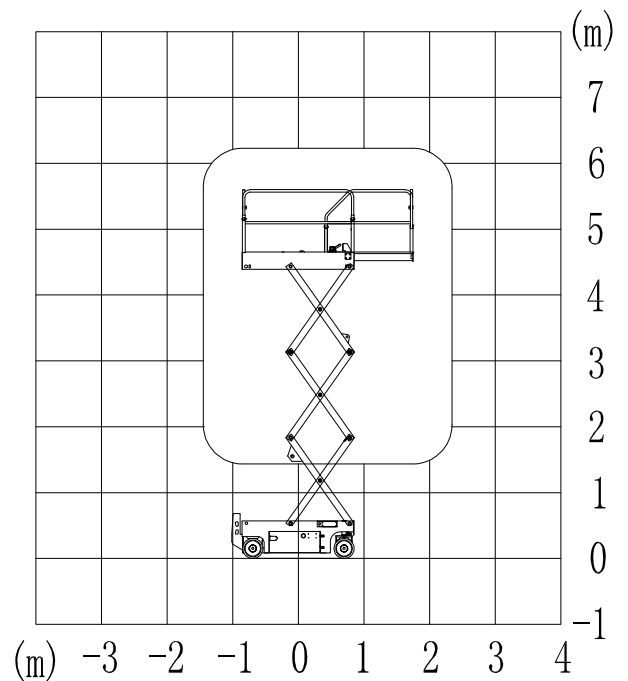
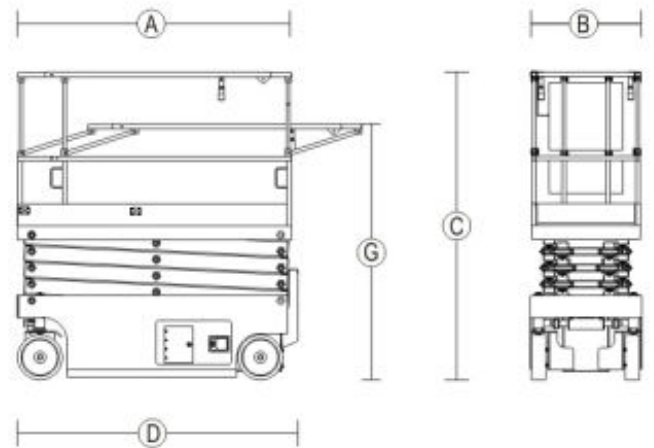


GTJZ05M-5m ELECTRIC SCISSOR LIFT

Model	GTJZ05M
Working Height Maximum	6.5m
Platform Height Maximum	4.8m
Max platform occupancy	2
Lift capacity	230kg
Lift capacity-extension deck	113kg
Length(stowed) ①	1.86m
Width(stowed) ②	0.76m
Height(stowed)③	2.01m
Height(guardrail fold stowed)	1.625m
Platform height minimum ④	0.91m
Platform measurement ②*①	1.705*0.76m
Length extension deck	0.9m
Ground clearance-center	85/20mm
Turing radius Minimum	1.6m
Travel speed(stowed)	3.2km/h
Travel speed(raised)	0.8km/h
Grade-ability	25%
Max. allowable slope	3°
Tire	Φ0.305*0.114m
weight	1350kg
Lift motor	24/3v/kw
Maintenance-free battery	4*6/216V/Ah
Charger	24-30V/A



CONFIGURATION
DC electrical motor--Bucher from USA
Hydraulic Pump--Bucher from USA
Cement Valve--Hydrofoss from USA
Brake--White from USA
RE motor--White from USA
Brake hydraulic pump--White from USA
Battery--US from USA or Trojan from USA
Charge--Longsheng from China
Controller--DLT from USA
Angle sensor--BPE from Italy or zhichuan from China
Joystick and controller--DLT form USA
Coulomb-meter--Curtis from USA